
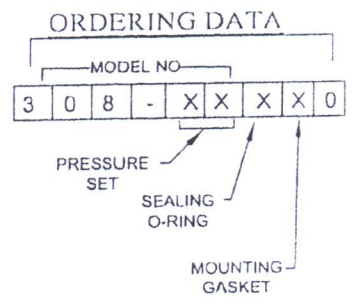
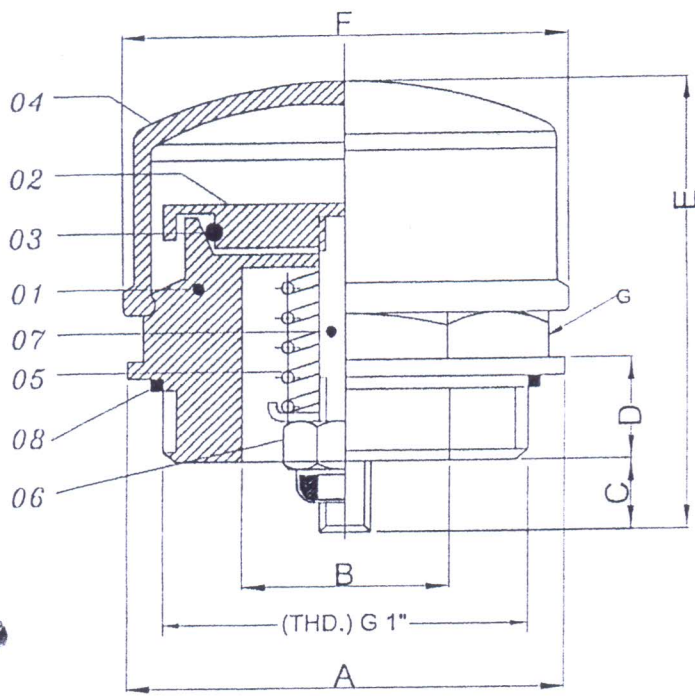


PROFORMA INVOICE

Seller: TAKFAN Machinery and Mould Co. Bakırlı MAH. Nazım Demirci Cad. No:374 Kartepe – Kocaeli- TURKEY Ph :+90 262 3712528 (pbx) Faks : +90 262 3733721		Proforma Invoice number: PI –ITR060622-2			
		Proforma Invoice date: 09.06.2022		Validity date of P/I: 09/06/2023	
		Buyer's Commercial Card No.:		Seller's reference: -	
Consignee(Name, Address): IRAN TRANSFO REY CO. Parand Industrial Zone,45 th km Tehran-Saveh old road,Tehran,Iran. Tel:+98 2156417785		Buyer(Name, Address): IRAN TRANSFO REY CO. Parand Industrial Zone,45 th km Tehran-Saveh old road,Tehran,Iran. Tel:+98 2156417785			
Freight Forwarder (Name, Address):		Country of beneficiary:			
Partial Shipment <input type="checkbox"/> Allowed <input type="checkbox"/> Not Allowed		Transit shipment <input type="checkbox"/> Allowed <input type="checkbox"/> Not Allowed		Country of origin: India	
				Place of destination	
		Terms of delivery: CPT Tehran		Terms of Payment: Cash in advance.	
Transport mode and means:		Port /Airport of loading:		TAKFAN EURO ACCOUNT BENEFICARY : TAKFAN MAKİNA VE KALIP SAN TİC LTD ŞTİ Company Adress; Bakırlı Mh. Nazım Demirci Cd. No;374 City; Kartepe / KOCAELİ Tel: 0090 262 3712528 Fax: 0090 262 3733721 BANK NAME: AKBANK Kocaeli/Izmit Division IBAN No: TR02 0004 6000 6603 6000 3269 57 ACC. No: 0326957 DIVISION CODE:066 Swift Code: AKBKTRIS066	
Port /Airport of discharge:		Final place delivery:			
Shipping marks; Transport unit ID		No. and kind of packages shipping description of goods		Commodity	Total gross wt (kg)
No. and Kind of standard:					
Item	Item description		Origin	Qty(Pcs)	Unit Price (Euro)
751783	308-30110 Pressure Release Valve DRG 308 R0		India	9000 Pcs	4.95
Total Amount(Euro)					44,550.00
Delivery Terms CPT Tehran Delivery Time: To be advised according to order value Payment Terms: Cash in Advance. Packing detail: To be inform before the shipment Documents: Packing List, Bill of lading, Commercial Invoice, Certificate of Origin. Insurance: To be taken by the buyer and particulars to be intimated to the seller before dispatch. Inspection: If required charges to buyer's account.					Freight charges: 3,900.00Euro
					Other expenditures: N.A
It is hereby certified that this invoice shows the actual price of the goods described, That no other invoice has been or will be issued, and that all particulars are true and correct					Total Amount due:: 48,450.00Euro
					Name of Signatory: Ozcan GUVEN


 TAKFAN Makina ve Kalip San. Tic. Ltd. Şti.
 Köseköy Sanayi Sitesi H Blok No:51-52 Köseköy / İZMİT
 Tel:0262 373 49 25 Faks: 0262 373 37 21
 Alınan V.D. 816 016 9620



MODEL NO ON THE PRODUCT WILL HAVE ONLY FIRST 3 DIGITS AND PRESSURE SETTING

PARTS LIST :

PART NO.	DESCRIPTION	MATERIAL
01.	BODY	BRASS
02.	SHUTTER	BRASS
03.	'O' RING	VITON/NBR/FVMQ
04.	PROTECTIVE CAP	POLYPROPYLENE
05.	SPRING	EN 58A / AISI 302
06.	NYLO NUT	STAINLESS STEEL
07.	TIE ROD	STAINLESS STEEL
08.	MOUNTING GASKET	AS REQUIRED

MOUNTING GASKET

ID	TYPE
0	WITHOUT GASKET
1	NBR FLAT (STANDARD)
2	NBR O-RING
3	VITON FLAT
4	CORK FLAT
5	FVMQ FLAT
6	CNAF FLAT
7	NBR (OD-40.5, ID-31.5, THK-4)

PRESSURE SET:-

KPA
20
25
30
35
40
45
50
70
77

SEALING O- RING

ID	TYPE
1	VITON (STANDARD)
2	NBR
3	FVMQ

DIMENSIONAL TABLE

NAME	A	B	C	D	E (Max)	F (Max)	'G' (ACROSS FLAT) (Max)
DIM.	45.5	26.5	11	15	67	51	40

VIAT INSTRUMENTS PVT. LTD. INDIA									
CLIENT :		FOR TEST SPECIFICATIONS CALL FOR TEST STANDARD OF THIS PRODUCT							
DRN.	P.K.D	TITLE: <u>PRESSURE RELIEF VALVE</u> SIZE: <u>G1"</u> (BRASS)							
APPD.	A.CUPTA								
DATE	12.12.19	ALL PREVIOUS DRAWINGS OF 308 SERIES HAVE BEEN REPLACED BY RELEASE 2							
SCALE	N.T.S.	<table border="1"> <tr> <td>Revision Level</td> <td>0</td> <td>SII. 1</td> </tr> <tr> <td>RELEASE</td> <td>2</td> <td>OF 1</td> </tr> </table>		Revision Level	0	SII. 1	RELEASE	2	OF 1
Revision Level	0			SII. 1					
RELEASE	2	OF 1							
NO.	DATE	DESCRIPTION	APPD.						
REVISIONS									
Form No. : VIATQ8-04-05-01 Rev. 0		DIMENSIONS ARE IN MILLIMETER(IN) AND FOR REFERENCE ONLY							